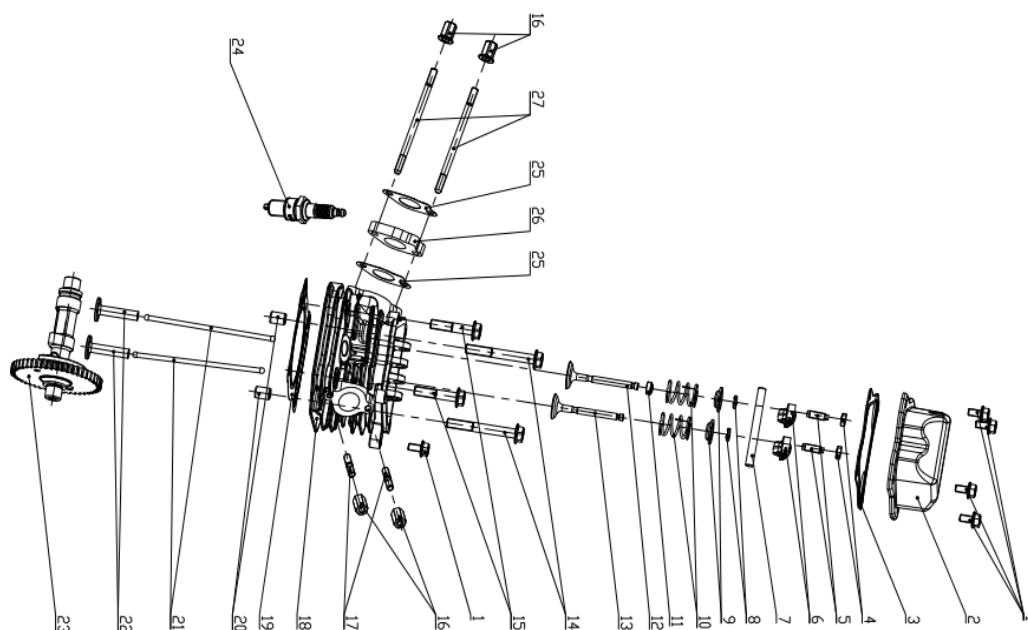


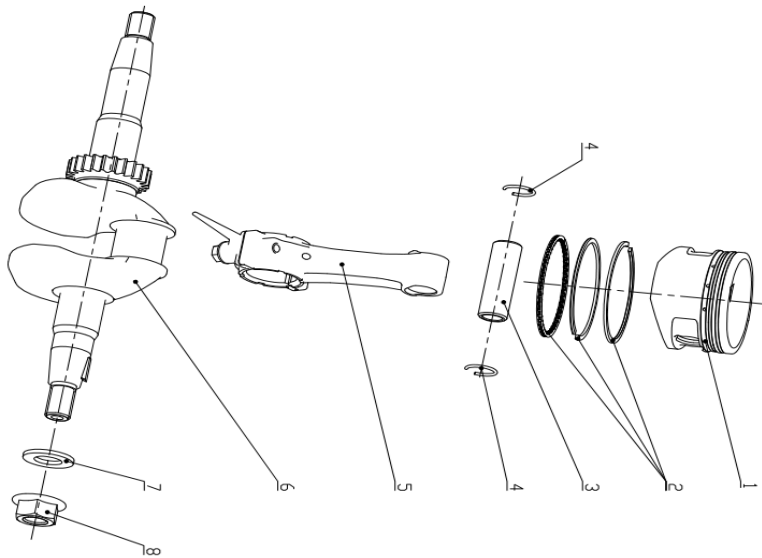
QL3000i Engine Spare parts list

FIG.1 Cylinder head ass'y



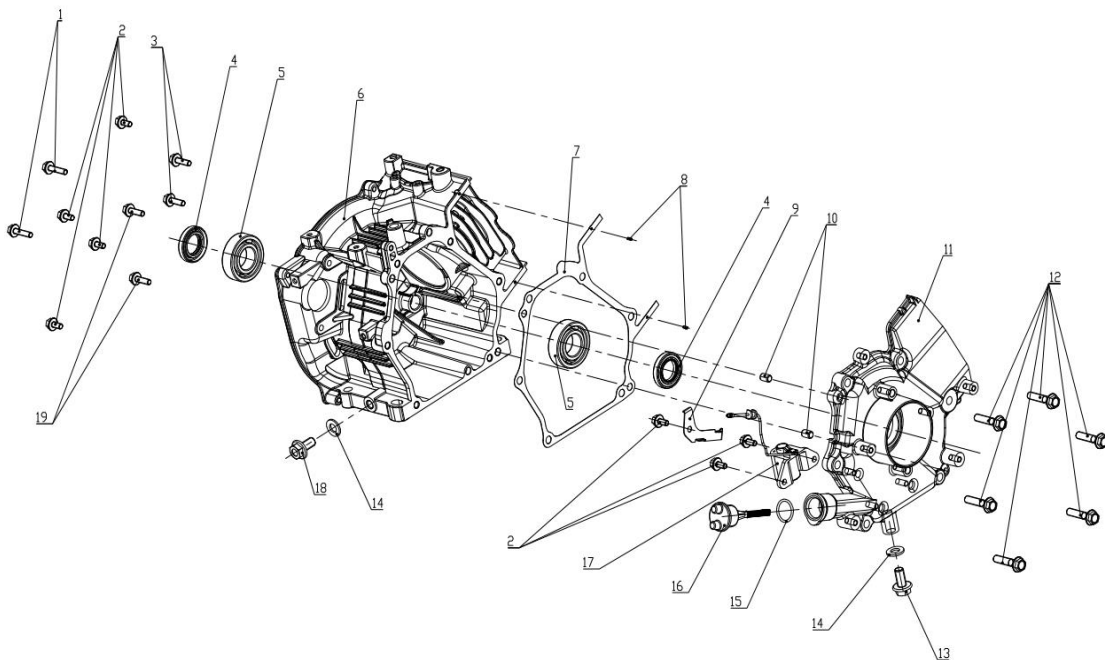
REF. NO 序号	PART NO 物料代码	CUSTOMER PART NO. 客户物料代码	DESCRIPTION 英文名	CHINSESE 中文名	Q' TY 数量	PRICE(\$) 单价
1-1	B01310601265		hexagonal flange bolt M6x12	六角法兰面螺栓M6X12	5	US\$0,10
1-2	22050143001000		cylinder head cover	缸盖罩组件	1	US\$2,60
1-3	32040143001000		gasket cylinder	缸盖罩垫片	1	US\$0,50
1-4	32150143001000		valve adjusting nut	气门调整固定螺母	2	US\$0,12
1-5	32140143001000		valve adjusting bolt	气门调整螺钉	2	US\$0,60
1-6	32130143001000		rocker	摇臂	2	US\$2,00
1-7	32030143001000		rocker shaft	摇臂轴	1	US\$0,80
1-8	33080124001000		valve luck	气门锁片	2	US\$0,10
1-9	33070124001000		valve spring seat	气门弹簧上座	2	US\$0,20
1-10	32060119001000		valve spring seat	气门弹簧	2	US\$0,01
1-11	32140124001000		valve oil seal	气门油封	1	US\$0,50
1-12	33050124001000		Intake valve	进气门	1	US\$1,50
1-13	33040124001000		exhaust valve	排气门	1	US\$1,80
1-14	B01310806565		hexagonal flange bolt M8x65	六角法兰面螺栓M8X65	2	US\$0,20
1-15	B01310804065		hexagonal flange bolt M8x40	六角法兰面螺栓M8X40	2	US\$0,30
1-16	B04280600025		hexagonal flange nut M6	六角法兰面螺母M6	4	US\$0,02
1-17	32120119001000		exhaust bolt	排气双头螺柱	2	US\$0,30
1-18	22020143001000		cylinder	气缸盖组件	1	US\$11,50
1-19	32060143001000		cylinder gasket	气缸盖垫片	1	US\$1,00
1-20	32070132001000		pin φ10×14	定位销φ10×14	2	US\$0,10
1-21	23040124001000		valve lifter	挺杆	2	US\$0,30
1-22	33010124001000		valve tappet	挺柱	2	US\$0,80
1-23	22040143001000		camshaft ass'y	凸轮轴组件	1	US\$2,50
1-24	22060127002000		spark plug	火花塞组件F6RTC	1	US\$1,20
1-25	32080143001000		intake gasket	进气垫片	2	US\$0,05
1-26	32070143001000		Isolation gasket	隔热垫	1	US\$0,20

FIG.2 Piston & connecting Rod Ass'y



REF. NO 序号	PART NO 物料代码	CUSTOMER PART NO. 客户物料代码	DESCRIPTION 英文名	CHINSESE 中文名	Q' TY 数量	PRICE(\$) 单价
2-1	34010143001000		piston	活塞	1	US\$2,22
2-2	24020123001001		piston ring	活塞环组	1	US\$1,80
2-3	34020143001000		pin	活塞销	1	US\$0,50
2-4	34090124001000		pin clip	活塞销挡圈	2	US\$0,01
2-5	24040124001000		connecting rod	连杆部件	1	US\$2,60
2-6	24020143003000		crankshaft Ass'y	曲轴组件	1	US\$13,50
2-7	34020124001000		gasket crankshaft	垫圈	1	US\$0,02
2-8	34010124001000		presre nut	压紧螺母M14×1.5	1	US\$0,04

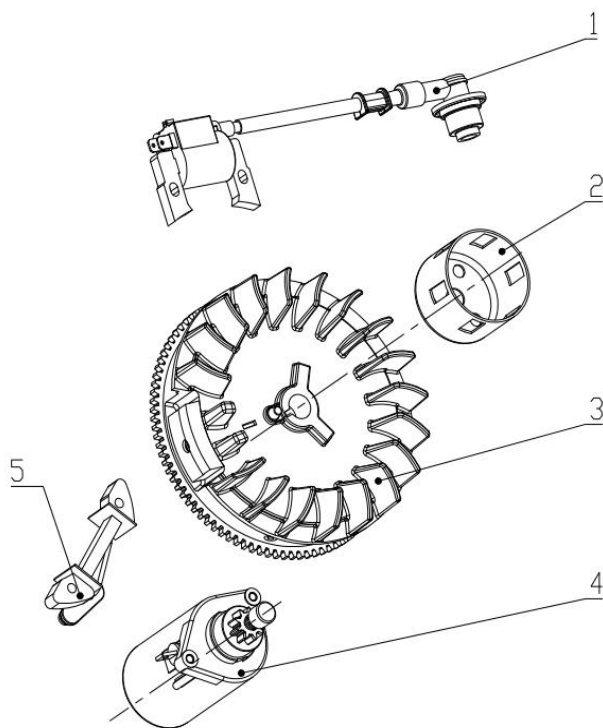
FIG.3 Crankcase Ass'y



REF. NO 序号	PART NO 物料代码	CUSTOMER PART NO. 客户物料代码	DESCRIPTION 英文名	CHINSESE 中文名	Q' TY 数量	PRICE(\$) 单价
---------------	-----------------	--------------------------------	--------------------	-----------------	-------------	-----------------

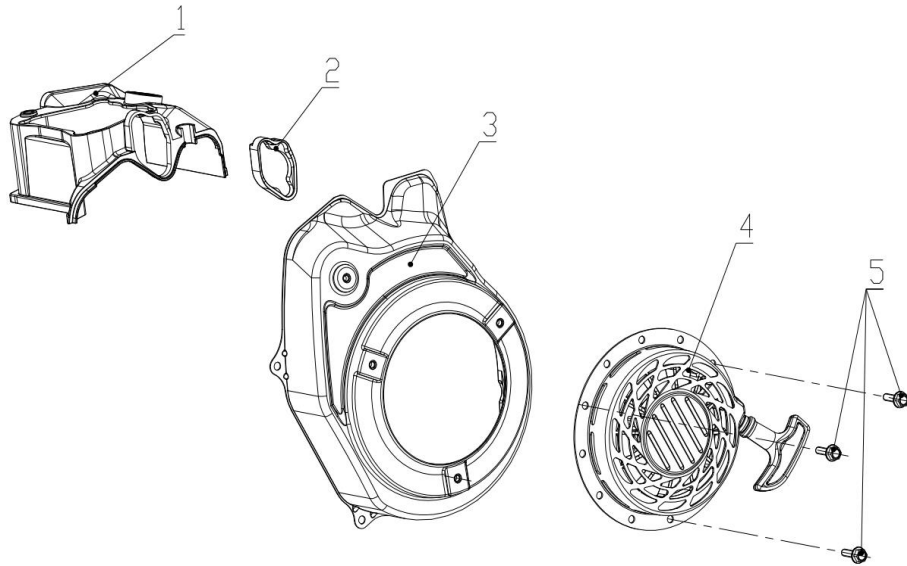
3-1	B01310603065	hexagonal flange bolt M6x30	六角法兰面螺栓M6X30	2	US\$0,02
3-2	B01310601265	hexagonal flange bolt M6x12	六角法兰面螺栓M6X12	7	US\$0,01
3-3	B01310602565	hexagonal flange bolt M6x25	六角法兰面螺栓M6X25	2	US\$0,01
3-4	21020124001000	oil seal	油封	2	US\$0,50
3-5	B12016020553	bearing	深沟球轴承,6205/P53	2	US\$1,50
3-6	31050143001000	crankcase ass'y	箱体组件	1	US\$18,00
3-7	31010143001000	gasket crankcase	箱体垫片	1	US\$2,00
3-8	B090325A0610	pin 2.5 x 6	销2.5×6	2	US\$0,01
3-9	31040124001000	pressure panel	压线板	1	US\$0,02
3-10	31100121001000	pin Φ8×14	定位销Φ8×14	2	US\$0,02
3-11	31010143003000	left cover	左盖	1	US\$6,00
3-12	B01330803565	hexagonal flange bolt M8x35	六角法兰面螺栓M8X35	6	US\$0,01
3-13	31060116001000	release oil screw	放油螺钉	1	US\$0,01
3-14	31070124001000	oil screw gasket	放油螺塞垫片	2	US\$0,01
3-15	31040143001000	O gasket	O型圈 Φ21×Φ2.3	1	US\$0,01
3-16	31030143001000	oil dipstick	机油盖	1	US\$0,20
3-17	21040124001000	oil level sensor	机油液面传感器部件	1	US\$2,60
3-18	31060124001000	release oil bolt	放油螺塞	1	US\$0,01
3-19	B01310602065	hexagonal flange bolt M6x20	六角法兰面螺栓M6X20	2	US\$0,01

FIG.4 Ignition System Ass'y



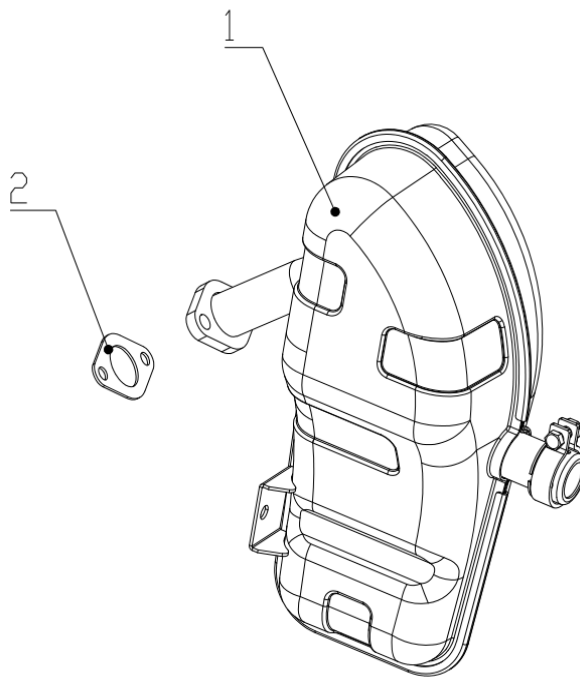
REF. NO 序号	PART NO 物料代码	CUSTOMER PART NO. 客户物料代码	DESCRIPTION 英文名	CHINSES 中文名	Q' TY 数量	PRICE(\$) 单价
4-1	38010143003000		ignitor	点火器	1	US\$4,50
4-2	34120121001000		starter cup	起动棘轮	1	US\$0,50
4-3	38040124001000		flywheel	飞轮部件	1	US\$14,60
4-4	38050124001000		start motor	起动电机	1	US\$16,20
4-5	38020143001000		ignition coil	线圈	1	US\$4,40

FIG.5 Engine starting and shield Ass'y



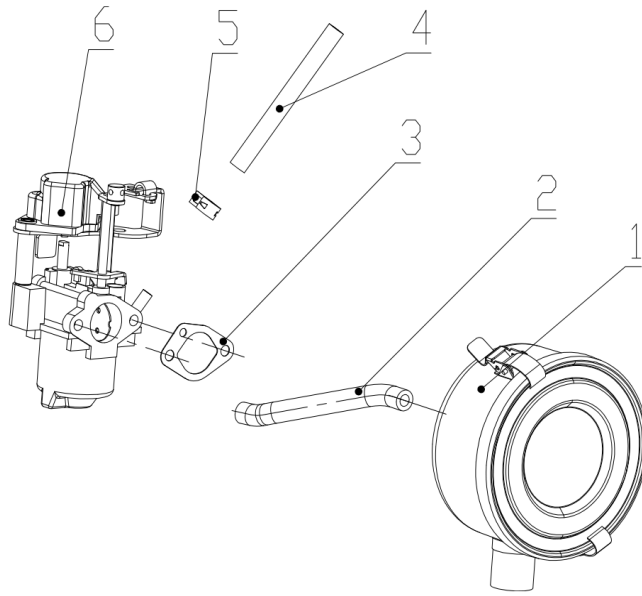
REF. NO 序号	PART NO 物料代码	CUSTOMER PART NO. 客户物料代码	DESCRIPTION 英文名	CHINSES 中文名	Q' TY 数量	PRICE(\$) 单价
5-1	36170143001000		cylinder cover	缸头罩组件	1	US\$1,10
5-2	36010143001000		seal ring	密封环	1	US\$0,02
5-3	36020143001000		Lead wind cover	导风罩组件	1	US\$4,30
5-4	26020143001000		starter	启动盘组件	1	US\$6,00
5-5	B01310600865		hexagonal flange bolt M6x8	六角法兰面螺栓M6X8	3	US\$0,01

FIG.6 muffler Ass'y



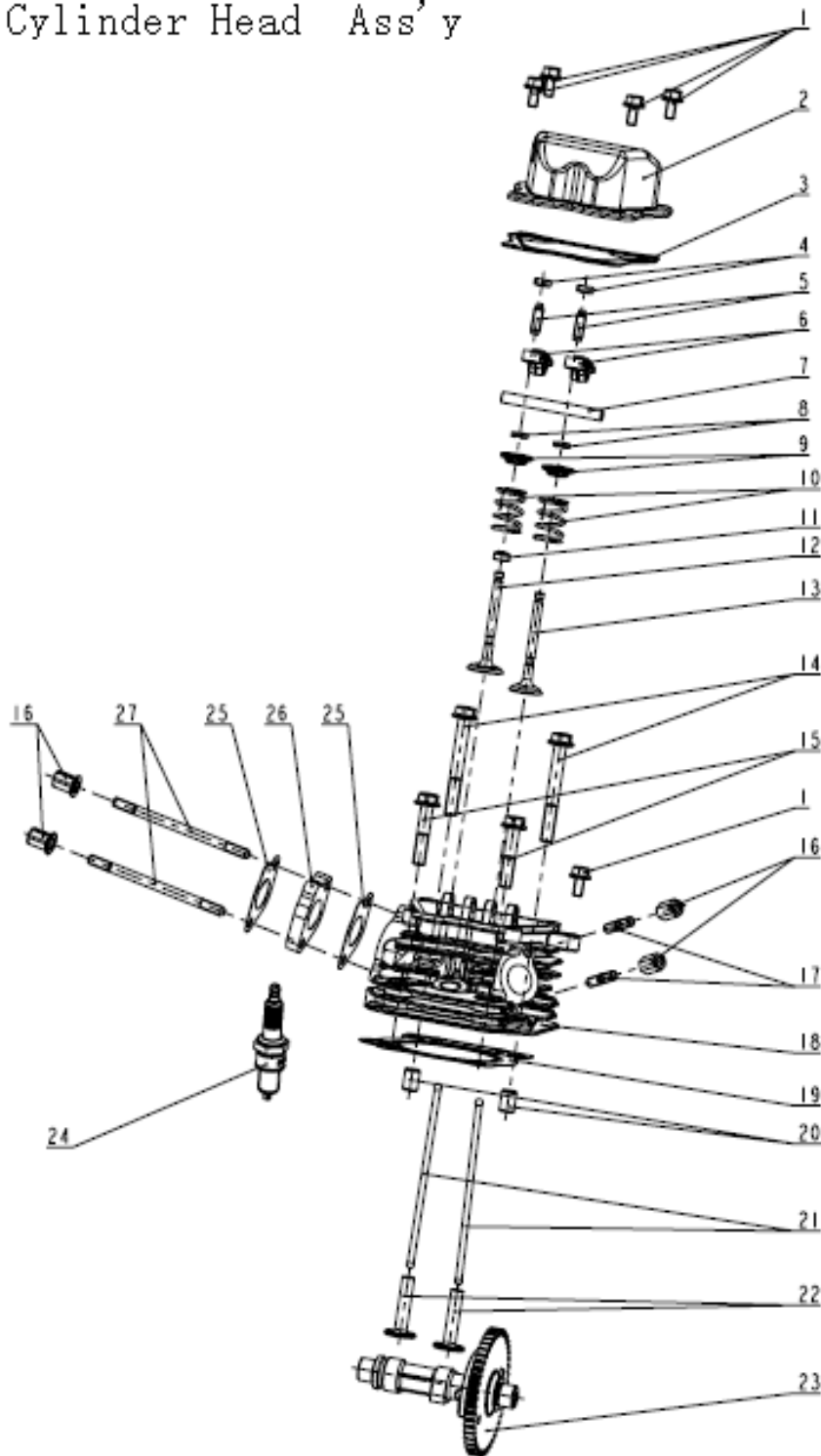
REF. NO 序号	PART NO 物料代码	CUSTOMER PART NO. 客户物料代码	DESCRIPTION 英文名	CHINSES 中文名	Q' TY 数量	PRICE(\$) 单价
6-1	27020143003000		muffler	消音器部件	1	US\$17,50
6-2	37010143001000		muffler gasket	消音器垫片	1	US\$0,20

FIG.7 Carburetor and Air frilter Ass'y

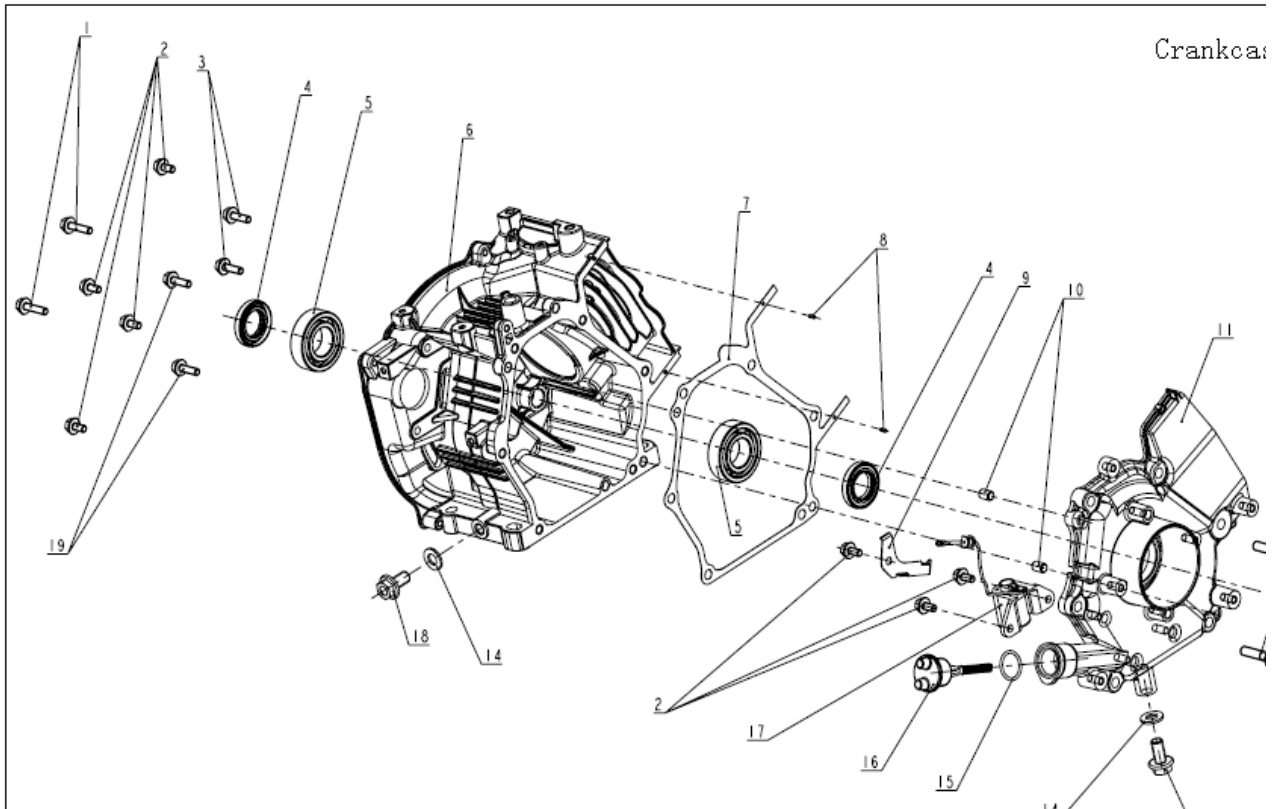
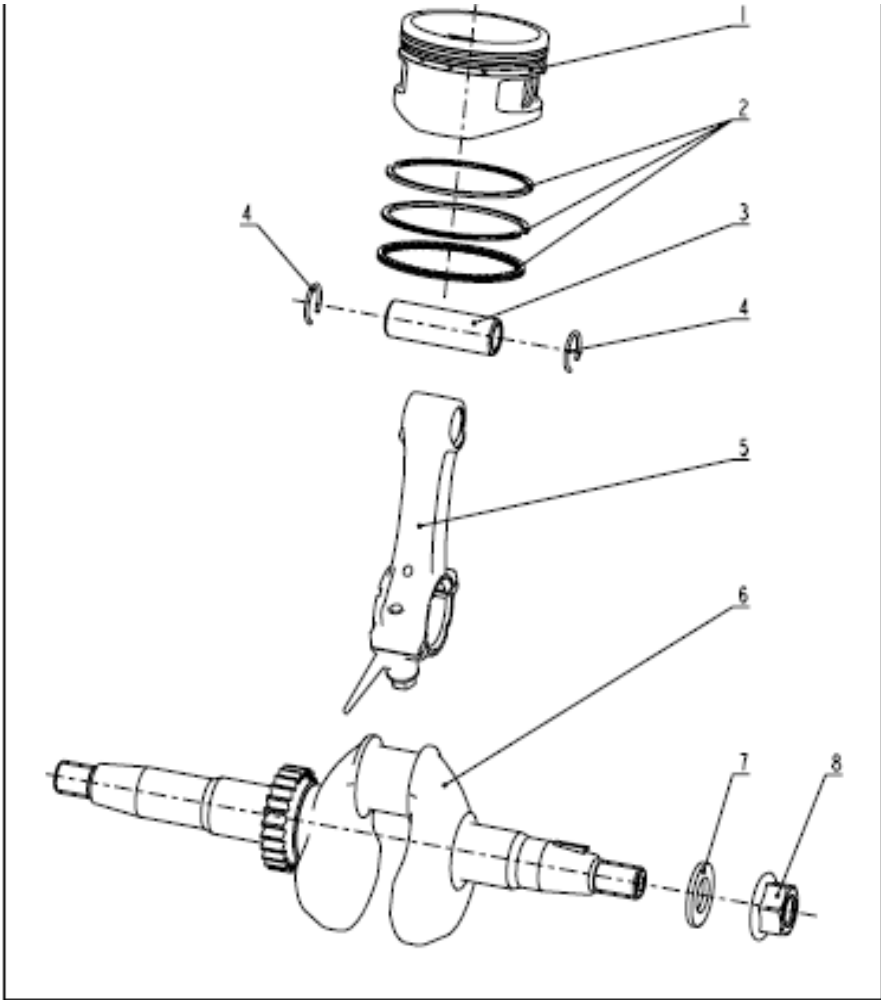


REF. NO 序号	PART NO 物料代码	CUSTOMER PART NO. 客户物料代码	DESCRIPTION 英文名	CHINSES 中文名	Q' TY 数量	PRICE(\$) 单价
7-1	27030143001000		air cleaner	空滤器组件	1	US\$6,60
7-2	37020143001000		air pipe	通气管	1	US\$0,30
7-3	37030143001000		air cleaner gasket	空滤器垫片	1	US\$0,02
7-4	37520121001001		fuel pipe $\phi 4.5 \times \phi 8.5 \times 230$	油管 $\phi 4.5 \times \phi 8.5 \times 230$	1	US\$0,50
7-5	30380421200010		clip $\phi 8.5$	抱箍 $\phi 8.5$	1	US\$0,01
7-6	27040143003000		carburetor ass'y	化油器部件	1	US\$10,00

Cylinder Head Ass'y

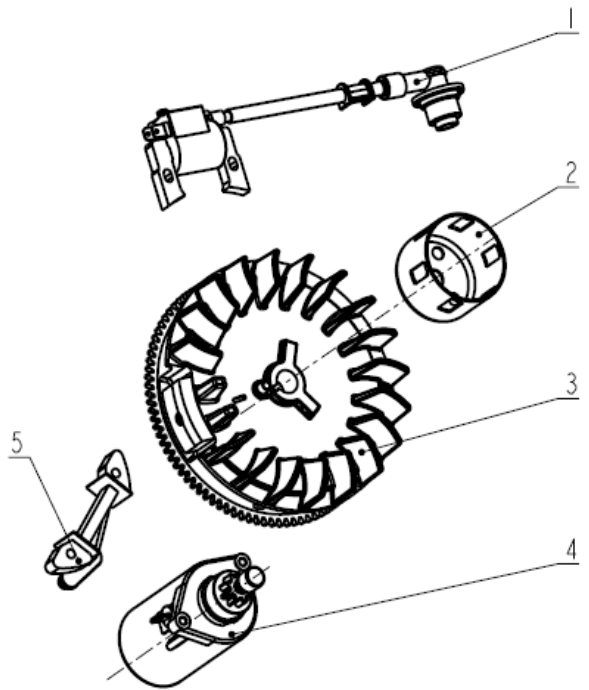


Piston & Connecting Rod Ass'y

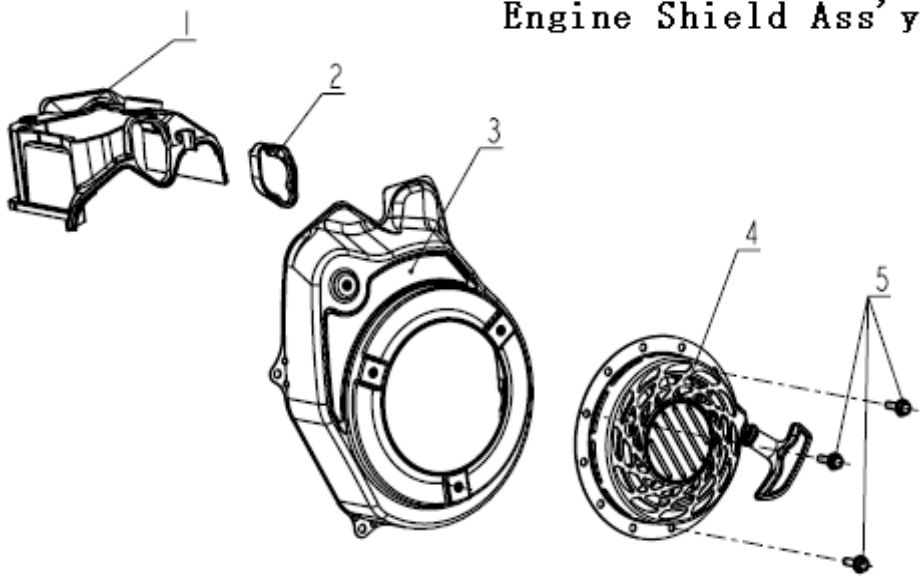


Crankcase

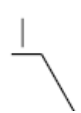
Ignition System Ass'y

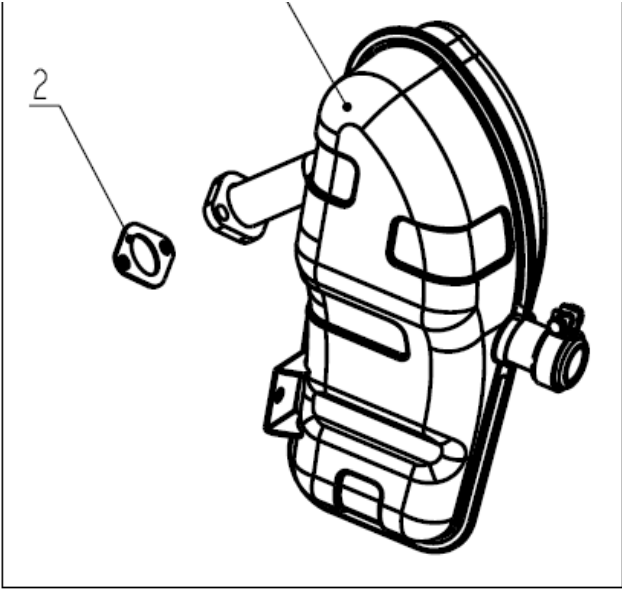


Engine Shield Ass'y

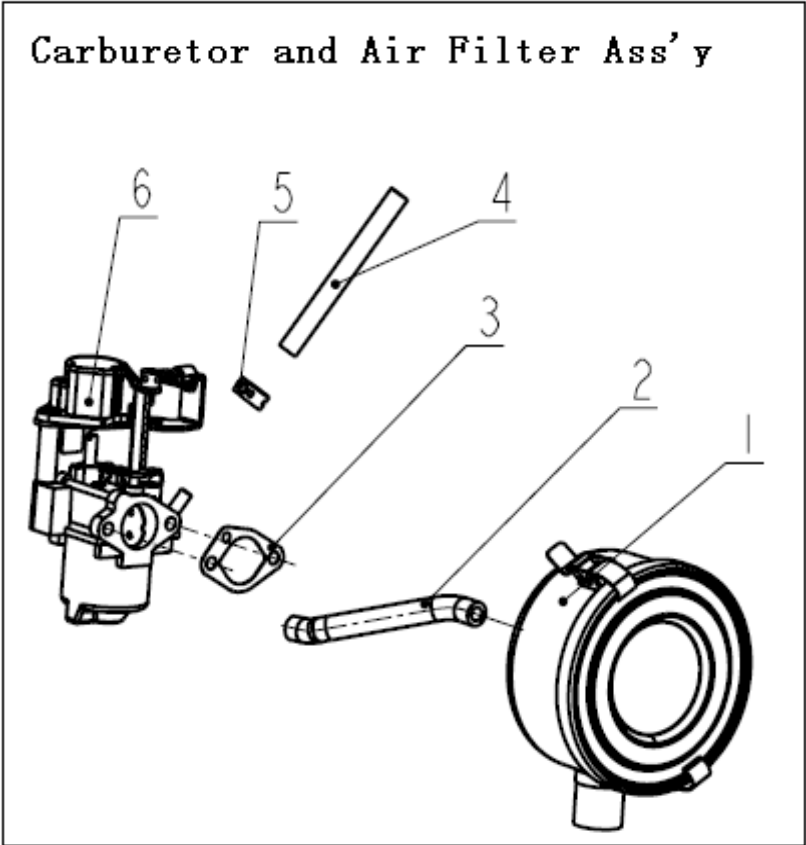


Muffler Ass'y

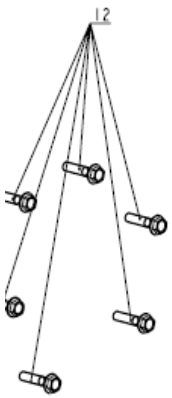




Carburetor and Air Filter Ass'y



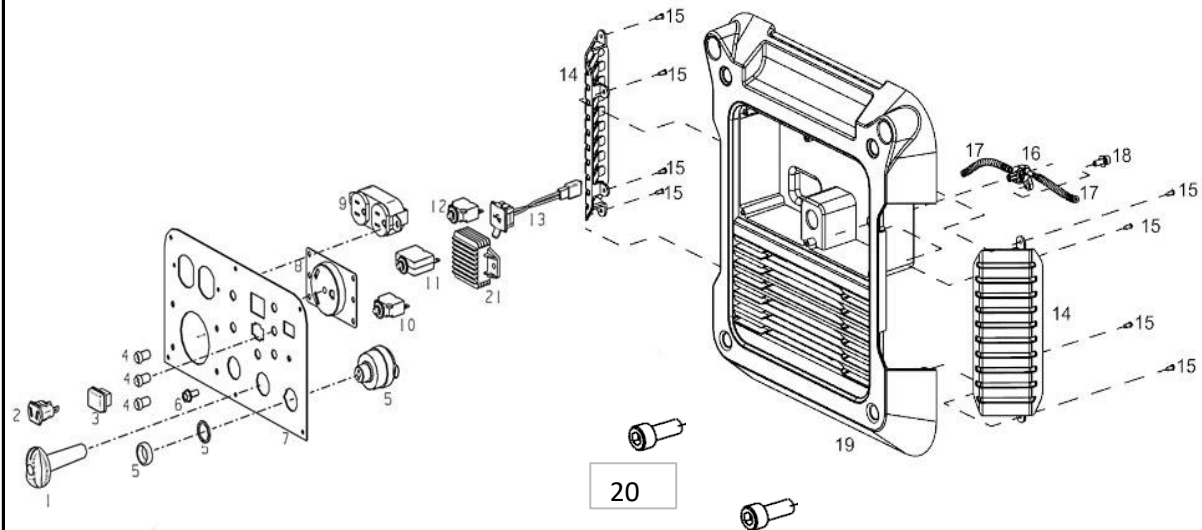
se Ass' y





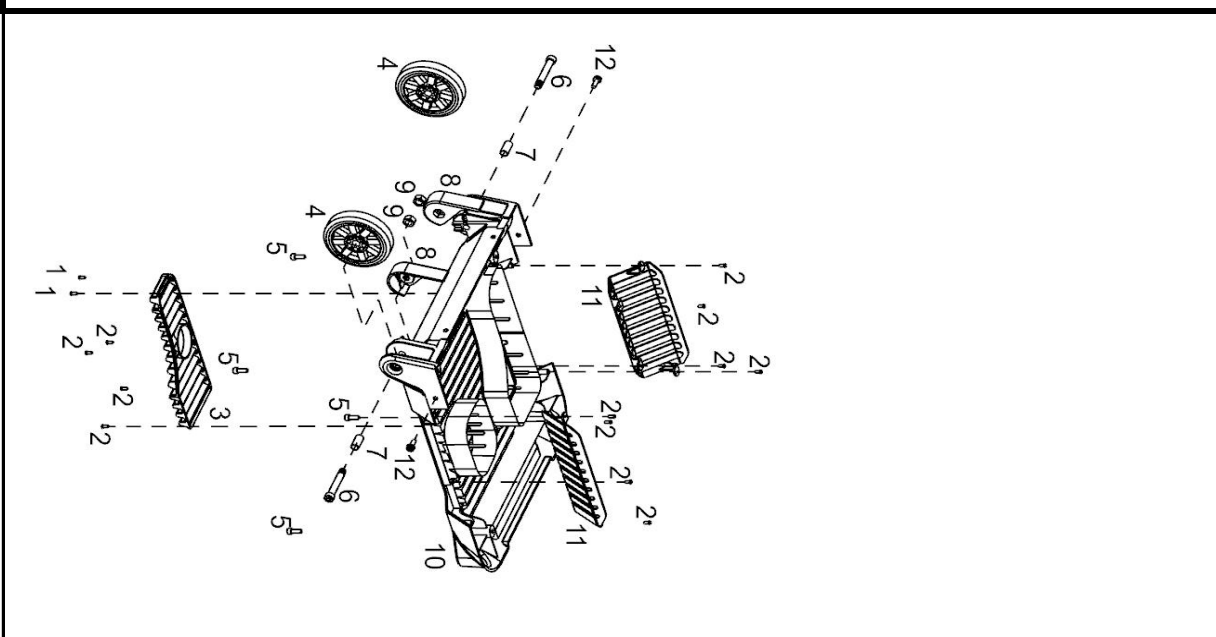
Parts Diagram

FIG.1 Control Panel



REF.#	PART #	DESCRIPTION	Qty	REF.#	PART #	DESCRIPTION	Qty
1-1	1-3000W-01	fuel switch rod	1	1-12	1-3000W-012	DC protector	1
1-2	1-3000W-02	DC socket	1	1-13	1-3000W-013	USB port	1
1-3	1-3000W-03	stop switch(black)	1	1-14	1-3000W-014	side cover	2
1-4	1-3000W-04	pilot light	3	1-15	1-3000W-015	M4 tapping screw	8
1-5	1-3000W-05	electric lock	1	1-16	1-3000W-016	fuel switch	1
1-6	1-3000W-06	earth point	1	1-17	1-3000W-017	fuel pipe	1
1-7	1-3000W-07	panel	1	1-18	1-3000W-018	cross screw M5X20	1
1-8	1-3000W-08	30A socket	1	1-19	1-3000W-019	panel housing	1
1-9	1-3000W-09	20A socket	1	1-20	1-3000W-020	cross screw M6X30	2
1-10	1-3000W-010	30A AC protector	1	1-21	1-3000W-021	USB stabilizer	1
1-11	1-3000W-011	20A AC protector	1				

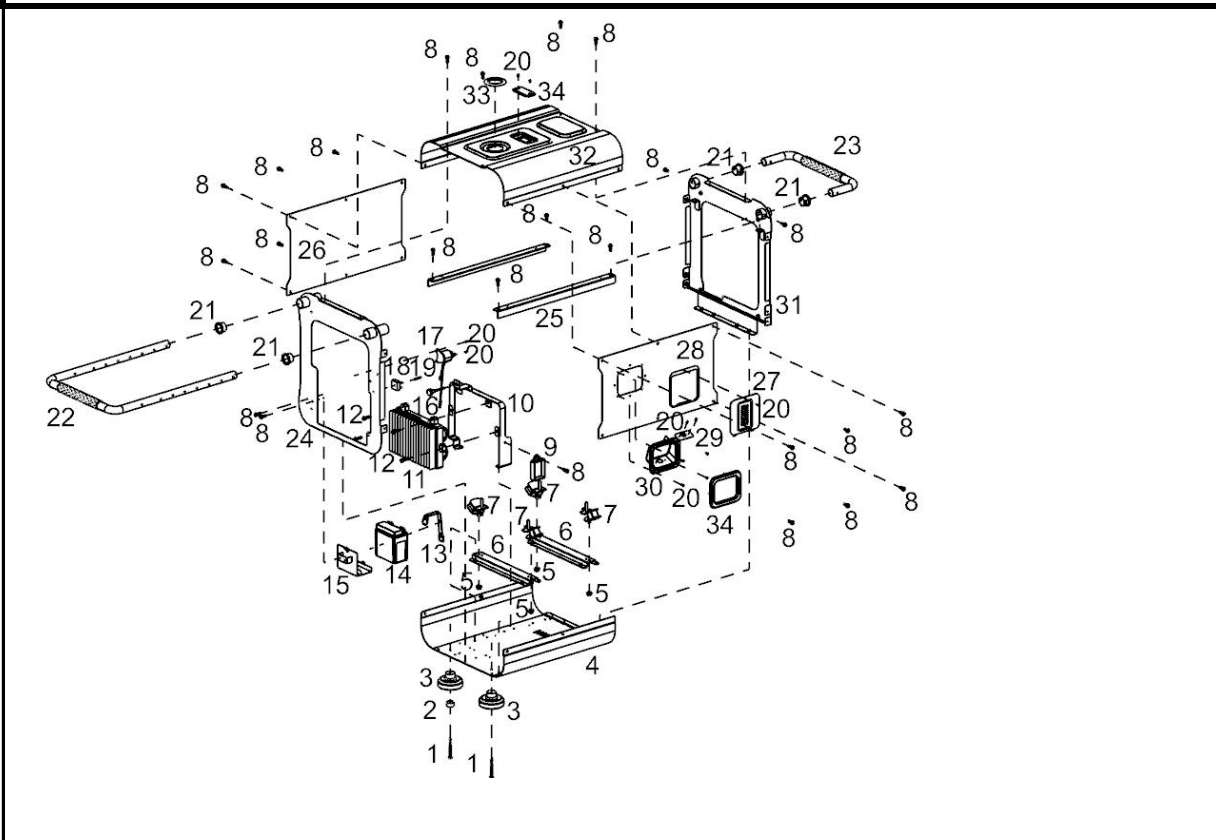
FIG.2 Muffler Cover



REF.#	PART #	DESCRIPTION	Qty	REF.#	PART #	DESCRIPTION	Qty
2-1	2-3000W-01	M3 tapping screw	2	2-7	2-3000W-07	bushing	2
2-2	2-3000W-02	M4 tapping screw	12	2-8	2-3000W-08	wheel support	2

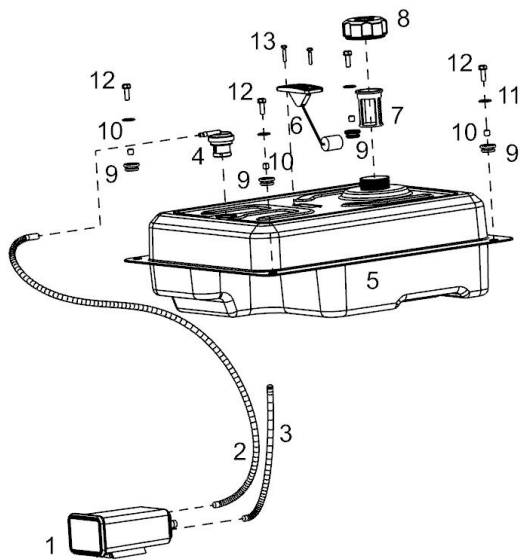
2-3	2-3000W-03	muffler cover	1	2-9	2-3000W-09	hexagonal nut M10	2
2-4	2-3000W-04	wheel	2	2-10	2-3000W-010	muffler housing	1
2-5	2-3000W-05	cross screw M6X30	4	2-11	2-3000W-011	side cover	2
2-6	2-3000W-06	M10X70 Flange Bolt	2	2-12	2-3000W-012	hexagonal flange bolt	2

FIG.3 Frame cover parts



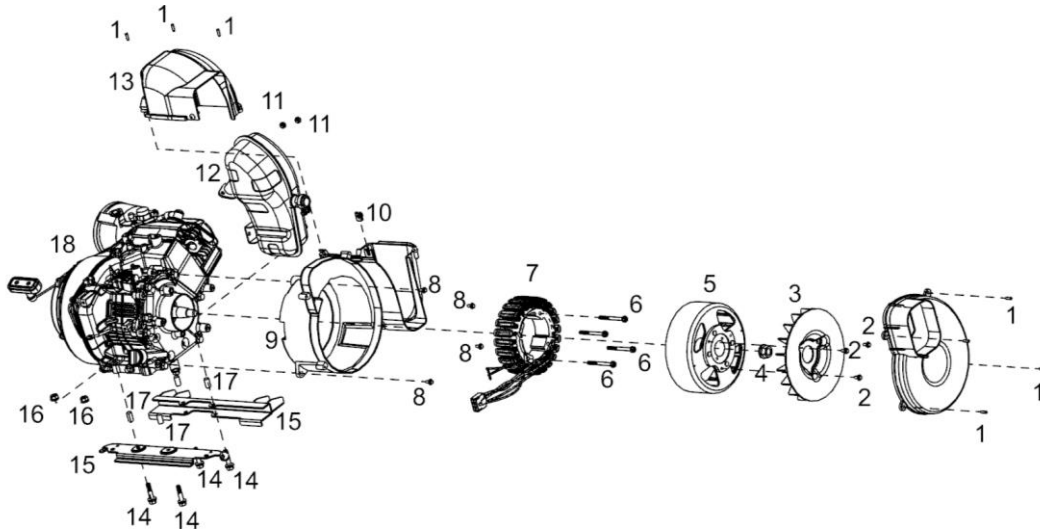
REF.#	PART #	DESCRIPTION	Qty	REF.#	PART #	DESCRIPTION	Qty
3-1	3-3000W-01	flange bolt M6X45	2	3-18	3-3000W-018	bridge rectifiers	1
3-2	3-3000W-02	gel	1	3-19	3-3000W-019	cross screw M5X20	1
3-3	3-3000W-03	groud foot	2	3-20	3-3000W-021	cross bolt M4x14	8
3-4	3-3000W-04	bottom cover	1	3-21	3-3000W-022	bushing	4
3-5	3-3000W-05	flange nut M8	4	3-22	3-3000W-023	long handel	1
3-6	3-3000W-06	shock base	2	3-23	3-3000W-024	short handel	1
3-7	3-3000W-07	shock foot	4	3-24	3-3000W-025	left panel	1
3-8	3-3000W-08	flange bolt	51	3-25	3-3000W-026	tank support base	2
3-9	3-3000W-09	limit speed part	1	3-26	3-3000W-027	rear panel	1
3-10	3-3000W-010	support frame	1	3-27	3-3000W-028	oil panel	1
3-11	3-3000W-011	inverter board	1	3-28	3-3000W-029	front panel	1
3-12	3-3000W-012	flange bolt M6x25	4	3-29	3-3000W-030	push handel part	1
3-13	3-3000W-013	rubber strip	1	3-30	3-3000W-031	push handel box	1
3-14	3-3000W-014	battery	1	3-31	3-3000W-032	right panel	1
3-15	3-3000W-015	battery base	1	3-32	3-3000W-033	top cover	1
3-16	3-3000W-016	choke line	1	3-33	3-3000W-034	tank mouth rubber	1
3-17	3-3000W-017	relay	1	3-34	3-3000W-035	mirror	1

FIG.4 油箱组件



REF.#	PART #	DESCRIPTION	Qty	REF.#	PART #	DESCRIPTION	Qty
4-1	4-3000W-01	carbon tin	1	4-8	4-3000W-08	cap	1
4-2	4-3000W-02	fuel pipe 810mm	1	4-9	4-3000W-09	11# rubber parts	4
4-3	4-3000W-03	fuel pipe 230 mm	1	4-10	4-3000W-010	bushing $\Phi 9.1 \times \Phi 7 \times 7.1$	4
4-4	4-3000W-04	one-way valve	1	4-11	4-3000W-011	shim $\Phi 18 \times \Phi 6.5 \times 1$	4
4-5	4-3000W-05	tank	1	4-12	4-3000W-012	flange bolt M6x12	4
4-6	4-3000W-06	fuel level gauge	1	4-13	4-3000W-013	cross screw M4X14	2
4-7	4-3000W-07	Fuel Filter	1				

FIG.5 动力、电机组件



REF.#	PART #	DESCRIPTION	Qty	REF.#	PART #	DESCRIPTION	Qty
5-1	5-3000W-01	tapping crew	8	5-10	5-3000W-010	clamping nut	1
5-2	5-3000W-02	flange bolt M6x12	3	5-11	5-3000W-011	hexagonal nut M8	2
5-3	5-3000W-03	fan	1	5-12	5-3000W-012	muffler	1
5-4	5-3000W-04	flange nut M14	1	5-13	5-3000W-013	muffler cover	1
5-5	5-3000W-05	stator	1	5-14	5-3000W-014	flange bolt M8x35	4
5-6	5-3000W-06	flange bolt M6x 55	4	5-15	5-3000W-015	engine base	1
5-7	5-3000W-07	rotor	1	5-16	5-3000W-016	flange nut M8	4
5-8	5-3000W-08	flange nut M6 x 18	4	5-17	5-3000W-017	pin $\Phi 10 \times 15$	4
5-9	5-3000W-09	alternator cover	1	5-18	5-3000W-018	engine	1

